

Catalogue number: **GMP80-3PR 80A**

Electronic Overload Relay: 3CT 16~40A 0-30sec



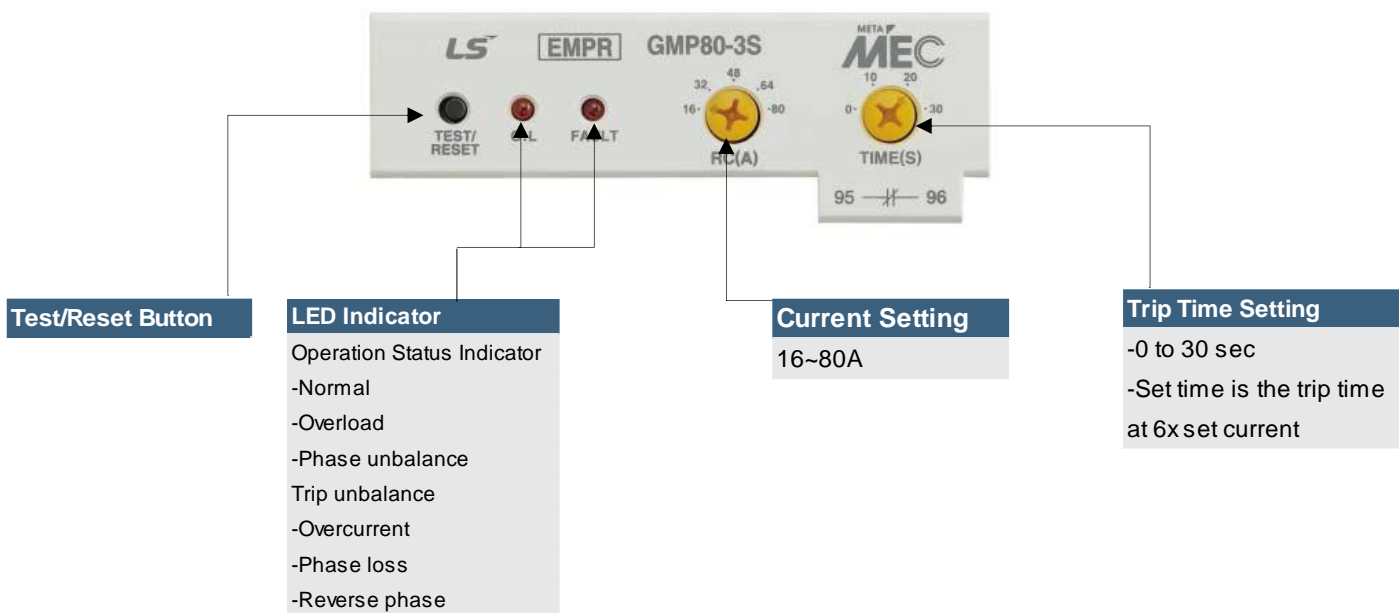
Electronic Overload relay

- Wide and adjustable current range
- Adjustable trip timing
- Compact size with 53mm
- 1 N/O+1N/C trip contacts
- Manual reset/test as standard

Generic photo only (actual product may change depending on configuration)

Part No.	Current Setting	Type
GMP80-3PR 80A	16~80 A	Direct mount, reverse phase protection, manual reset

Auxiliary contact	3A/250VAC at resistive load 1NO(97-98) + 1NC(95-96)
--------------------------	--



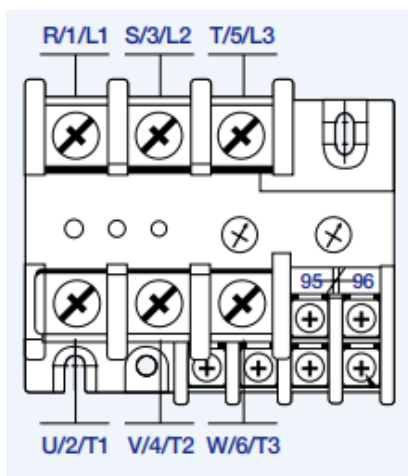
Catalogue number: **GMP80-3PR 80A**

Electronic Overload Relay: 3CT 16~40A 0-30sec



Specifications	
Manufacturer	LS Electric
Product range	Electronic Overload Relay
Application	Motor Protection for Overloads and Phase Failures
Number of CTs	3CT
Protection	Overcurrent, Phase Failure, Locked rotor Phase Unbalance, Phase Reverse
Current Setting Range (A)	16~80A
Operating Time Characteristics	Inverse time characteristics
Time setting	Inverse time: 0~30sec
	Definite D-time: 0.2~60sec
	O-Time: 5sec(Fixed)
Tolerance	Current: ±5%
	Time ±5%(or ±0.5sec)
Control Power	Voltage: AC 110V/220V(±10%) AC 100~260V
	Frequency: 50/60Hz
insulation Resistance	Min 100MΩ @ 500VDC
Surge Endurance	1.2x50μs 6kV
Fast Transient Burst	2.5kV/5min
Environment	Operating Temp. -25~70°C
	Storage Temp. -30~80°C
	Humidity 30~90%RH (No freezing)
Trip indicator	Red LED/Green LED
Mounting Type	Din Rail
Applied Contactor	MC50-MC85

Terminal Configuration



Engrave	Description
A1, A2	Input terminal for operation power
95, 96, 98	Output terminals at power-on
95-96	When the power is ON (NC contact output)
97-98	When the power is ON (NO contact output)
Z1, Z2	ZCT output connection
U/2/T1, V/4/T2, W/6/T3	Power side connection
R/1/L1, S/3/L2, T/5/L3	Load side connection

LED Indication

Condition		Red O.L LED	Green Fault LED	Note			
Operation	Normal	Off		Off			
	Over current	On & Off		Off		0.4 second interval	
	Over current	On		Off			
Trip	Phase failure (3CT)	R	On		On & Off		1 Times for 3second
		S	On		On & Off		2 Times for 3second
		T	On		On & Off		3 Times for 3second
	Phase failure(2CT)	On & Off		Protect 2phases of 3phases, trips within 3sec.			
	Reverse phase(3CT)	On & Off		On & Off		One after the other	

GMP80-3SR Dimensions

